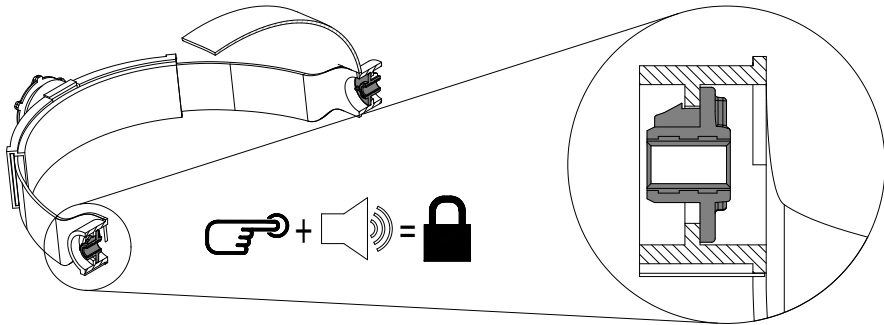
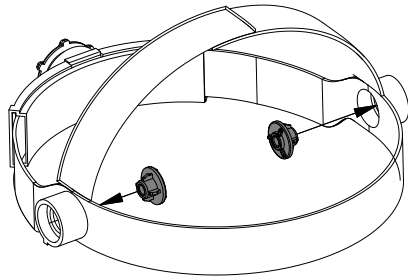


AirShield[®]

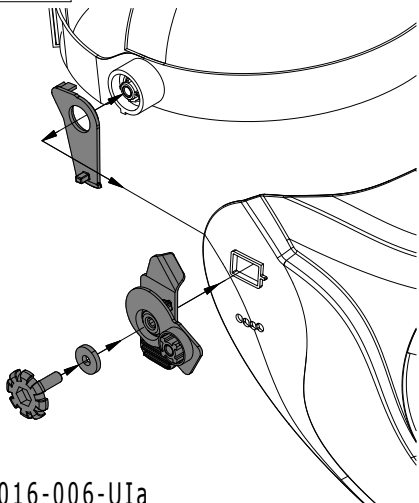
Welding Helmet Adapter



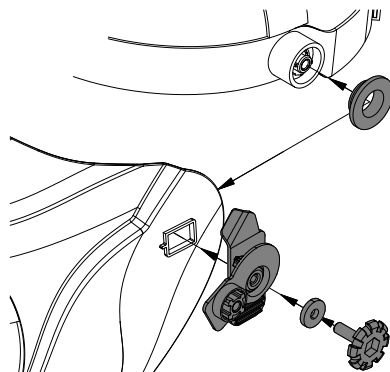
1



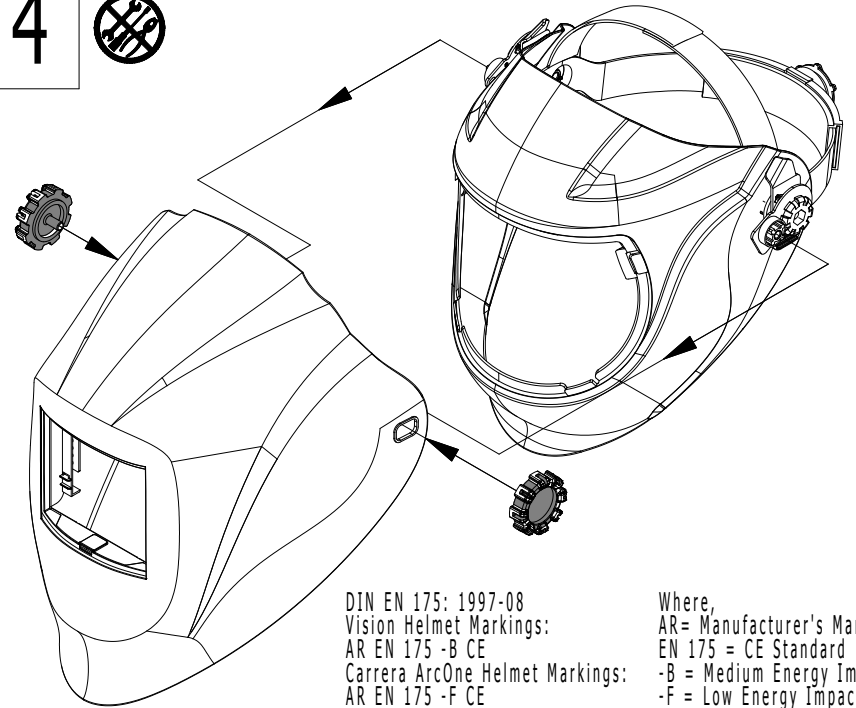
2



3



4



DIN EN 175: 1997-08
 Vision Helmet Markings:
 AR EN 175 -B CE
 Carrera ArcOne Helmet Markings:
 AR EN 175 -F CE

Where,
 AR= Manufacturer's Mark
 EN 175 = CE Standard
 -B = Medium Energy Impact
 -F = Low Energy Impact

5

